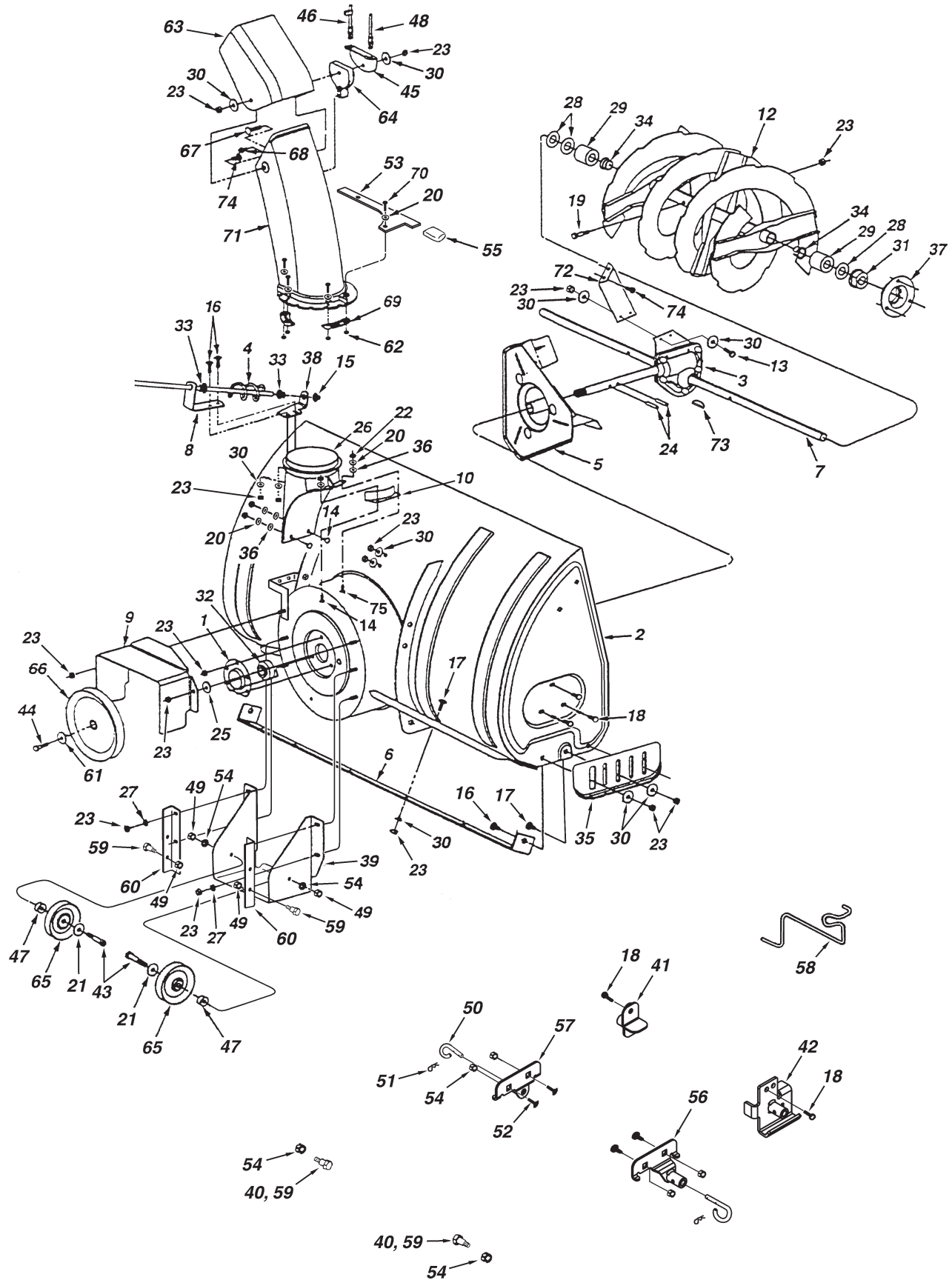


PARTS

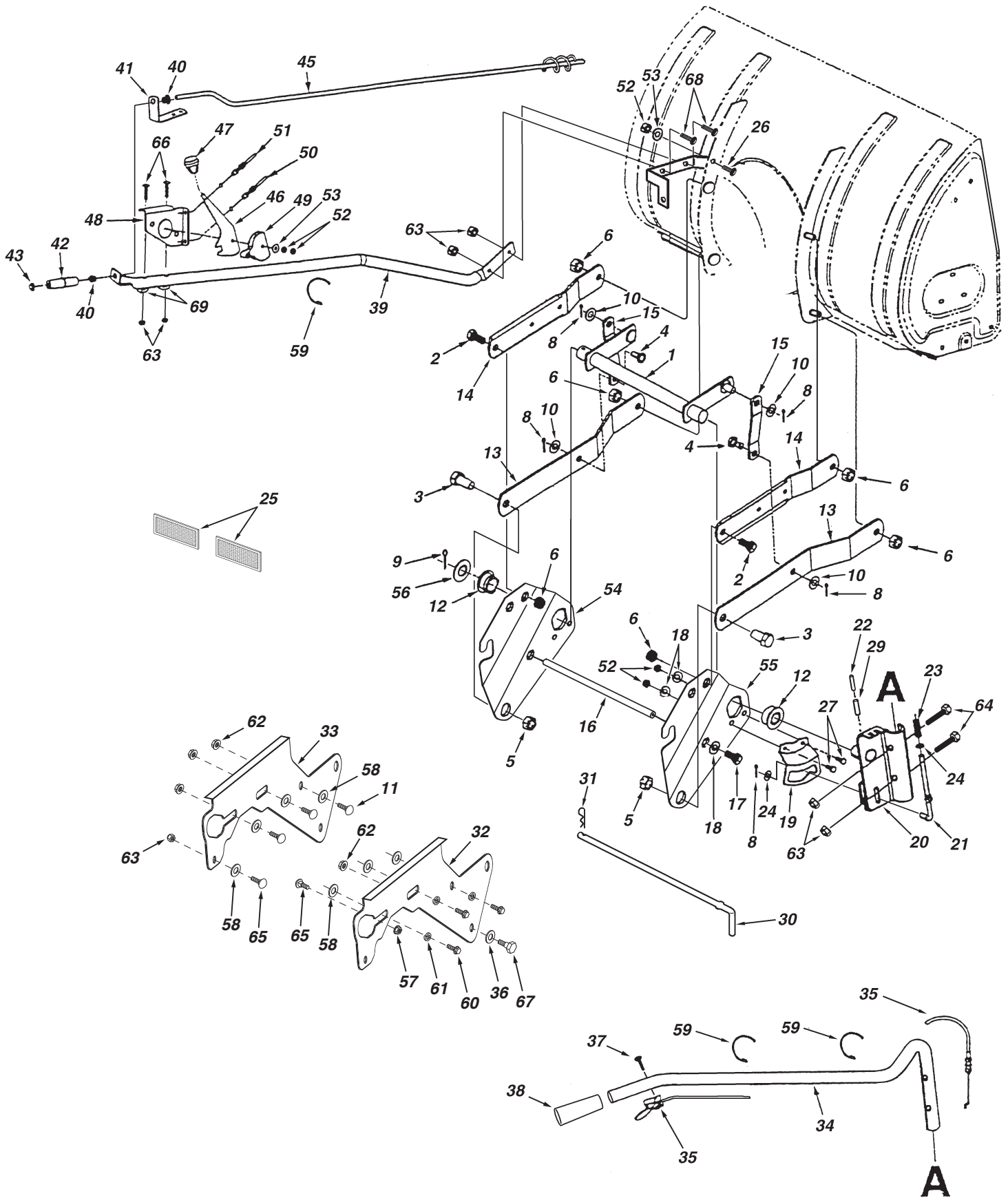
REPAIR PARTS FOR MODEL LST42D 42" SNOW THROWER



REPAIR PARTS FOR MODEL LST42D 42" SNOW THROWER

REF. NO.	PART NO.	QTY.	DESCRIPTION	REF. NO.	PART NO.	QTY.	DESCRIPTION
1	05931	1	Housing, Bearing	39	27280	1	Bracket, Idler
2	65701	1	Housing Assembly	40	49933	2	Shoulder Bolt, Round Head
3	71464	1	Gear Assembly	41	65367	1	Hanger Bracket Assembly, L.H.
4	63579	1	Chute Crank Rod Assembly	42	65450	1	Hanger Bracket Assembly, R.H.
5	63768	1	Impeller Assembly	43	41576	2	Hex Bolt, 3/8-16 x 1-3/4"
6	24773	1	Scraper Plate	44	44377	1	Hex Bolt, 3/8-24 x 1"
7	25982	1	Shaft, Auger Gearbox	45	784-5594	1	Bracket, Cable
8	703-2735A	1	Bracket, Chute Crank	46	746-0929	1	Cable, Chute Control With Clip
9	24816	1	Cover, Belt	47	711-0242	2	Spacer
10	705-5226	1	Chute Reinforcement	48	746-0928	1	Cable, Chute Control
11	705-5269	1	Spiral Assembly, L.H. (not shown)	49	HA21362	4	Hex Nut, 3/8-16 Nylock
12	705-5270	1	Spiral Assembly, R.H.	50	43038	2	Pin, Pivot Lock
13	43840	2	Hex Bolt, 5/16-18 x 1-1/4" Lg.	51	43343	2	Pin, Hair Cotter #4 (1/8")
14	44950	4	Carriage Bolt, 1/4-20 x 3/4"	52	43350	4	Carriage Bolt, 3/8-16 x 1"
15	44917	1	Palnut, 3/8"	53	24394	1	Bracket, Chute Anti-rotation
16	44326	4	Carriage Bolt, 5/16-18 x 1" Lg.	54	47572	6	Hex Lock Nut, 3/8-16 Flanged
17	43080	10	Carriage Bolt, 5/16-18 x 3/4" Lg.	55	1643-60	1	Plastic Cap
18	46703	8	Bolt, Self-Tap 5/16" x 3/4"	56	64452	1	Hanger Bracket Assembly, R.H.
19	710-0890A	2	Bolt, Shear 5/16-18 x 1-1/2"	57	64451	1	Hanger Bracket Assembly, L.H.
20	43088	11	Washer, 1/4"	58	47043	1	Keeper, Engine Pulley
21	43070	2	Washer, 3/8"	59	48106	4	Bolt, Shoulder
22	47189	4	Hex Nut, 1/4-20 Nylock	60	24466	2	Bracket, Down Stop
23	47810	29	Hex Nut, 5/16-18 Nylock	61	736-0247	1	Washer,
24	715-0114	2	Spiral Pin, 1/4" x 1-1/2" Lg.	62	47598	6	Hex Lock Nut, 1/4" Flanged
25	750-0437	1	Bushing	63	731-0921	1	Chute, Upper
26	731-1379A	1	Chute Adapter	64	731-1313C	1	Guide, Cable
27	43086	4	Lock Washer, 5/16"	65	47044	2	Pulley, V Type 4"
28	43009	6	Washer, .76" x 1.49" x .06"	66	47026	1	Pulley, V Type
29	711-0469	4	Spacer, .75 ID x 1.25 OD x .5 L	67	43085	1	Hex Bolt, 5/16-18 x 1-1/2"
30	43081	24	Washer, 5/16" Std. Wrt.	68	710-0896	1	Screw, 1/4-14 x 5/8"
31	47615	2	Bearing, Flange	69	731-0851A	3	Chute Keeper
32	741-0309	1	Bearing, Ball	70	43661	6	Hex Bolt, 1/4-20 x 1"
33	741-0475	2	Bushing, Plastic 3/8"	71	731-1300C	1	Chute, Lower
34	741-0493A	4	Bearing, Split, 3/4"	72	25937	1	Center Brace, Gearbox
35	24279	2	Skid Shoe	73	HA20185	1	#61 Woodruff Key
36	48015	4	Washer, Nylon	74	43182	3	Hex Bolt, 5/16-18 x 3/4"
37	784-5618	2	Housing, Bearing	75	40504	1	Carriage Bolt, 1/4-20 x 3/4"
38	24393	1	Bracket, Chute Crank		42320	1	Owner's Manual

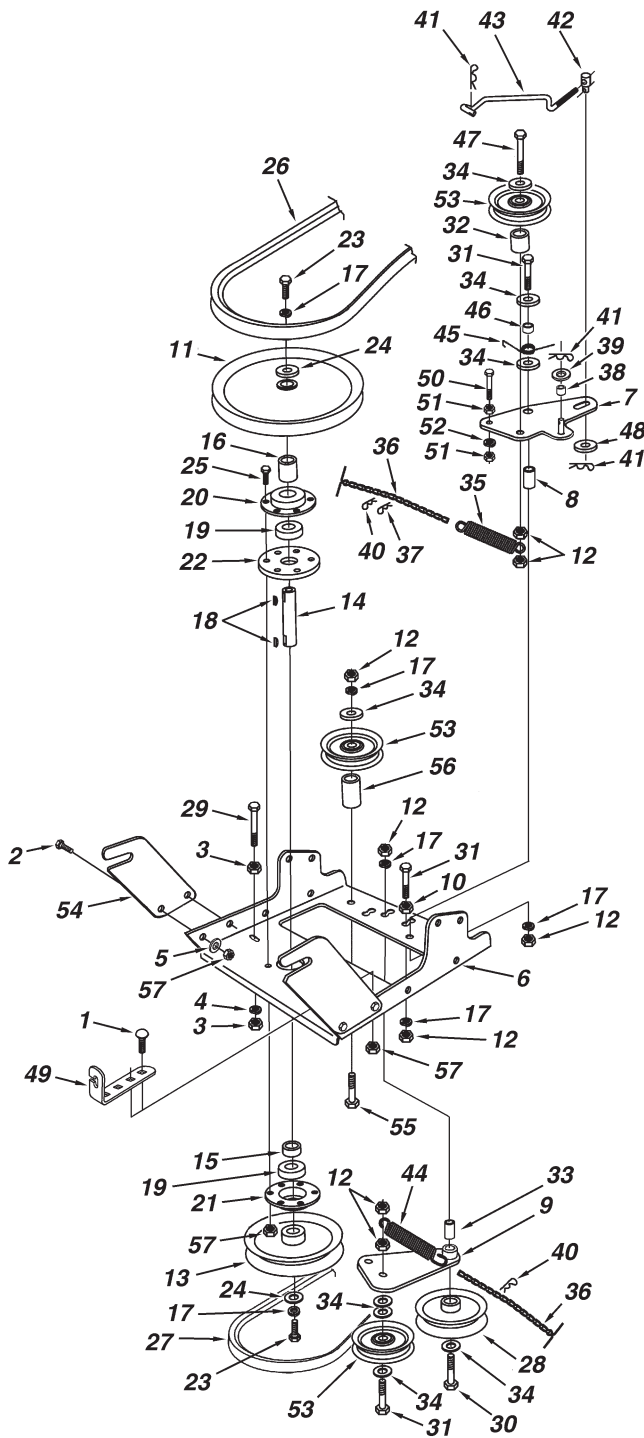
REPAIR PARTS FOR MODEL LST42D 42" SNOW THROWER



REPAIR PARTS FOR MODEL LST42D 42" SNOW THROWER

REF. NO.	PART NO.	QTY.	DESCRIPTION	REF. NO.	PART NO.	QTY.	DESCRIPTION
1	64637	1	Lift Shaft Assembly	36	43070	2	Washer, 3/8"
2	710-0865	2	Hex Bolt, 1/2-13 x 1"	37	710-1233	1	Screw, Oval #10-24 x 1"
3	710-0367	2	Hex Bolt, 5/8-11 x 1-1/2"	38	44482	1	Grip, Handle
4	711-0332	2	Pin, Bracket Lift	39	47027	1	Tube, Crank Rod Support
5	712-0261	2	Nut, Hex Lock 5/8-11 Thread	40	741-0475	2	Bushing, 3/8" Plastic
6	43262	6	Nut, Hex Lock 1/2-13	41	703-2735A	1	Bracket, Chute Crank
8	142	5	Pin, Cotter 1/8" x 3/4"	42	720-0201A	1	Knob, Crank
9	43093	1	Pin, Cotter 1/8" x 1-1/2"	43	44917	1	Palnut, 3/8"
10	R19171616	4	Washer, 17/32" x 1"	45	63579	1	Assembly, Chute Crank Rod
11	43350	6	Carriage Bolt, 3/8-16 x 1"	46	784-5604A	1	Handle, Chute Tilt
12	741-0192	2	Bearing, Flange With Flats	47	720-04039	1	Knob
13	783-0380	2	Link, 15.80" Long	48	603-0302	1	Assembly, Chute Tilt Bracket
14	783-0381	2	Link, 11.75" Long	49	731-1313C	1	Guide, Cable
15	24476	2	Link, 4.88" Long	50	746-0928	1	Cable, Chute Control
16	24311	1	Rod, Spacer	51	746-0929	1	Cable, Chute Control with Clip
17	47599	2	Hex Bolt, 5/16-18 x 1" (Locking)	52	43064	5	Nut, Hex Lock 5/16-18
18	43086	4	Lock Washer, 5/16"	53	43081	2	Washer, 5/16"
19	24820	1	Bracket, Lift	54	24285	1	Plate, Mounting (L.H.)
20	63773	1	Assembly, Handle Lift Bracket	55	24284	1	Plate, Mounting (R.H.)
21	48049	1	Rod, Index Lift	56	43601	1	Washer, 1.59" x 1.032" x .060"
22	47369	1	Pin, Spring 3/16" x 1-3/4"	57	46584	1	Nut, Whizlock, 5/16-18
23	732-0306	1	Spring, Compression	58	R19172410	8	Washer, 1/2"
24	R19131316	2	Washer, 13/32" x 13/16"	59	726-0178	3	Tie, Nylon
25	47788	2	Reflector, Rear	60	47631	6	Hex Bolt, 3/8-16 x 1" Self Tap
26	43080	1	Carriage Bolt, 5/16-18 x 3/4"	61	43003	6	Lock Washer, 3/8"
27	43182	2	Hex Bolt, 5/16-18 x 3/4"	62	47572	6	Nut, Flanged Lock 3/8-16
29	47368	1	Pin, Spring 5/16" x 1-3/4"	63	47810	8	Nut, Nylock Hex 5/16-18
30	46954	1	Pin, Attachment	64	43084	2	Hex Bolt, 5/16-18 x 1-3/4"
31	43343	1	Pin, Haircotter #4 (1/8")	65	44326	2	Carriage Bolt, 5/16-18 x 1"
32	25678	1	Plate, Side (R.H.)	66	44215	2	Carriage Bolt, 5/16-18 x 1-3/4"
33	25679	1	Plate, Side (L.H.)	67	48106	2	Bolt, Shoulder
34	49916	1	Tube, Lift Handle	68	43682	2	Carriage Bolt, 5/16-18 x 1-1/4"
35	49912	1	Trigger and Lift Cable Assembly	69	44695	2	Washer, Bowed

REPAIR PARTS FOR MODEL LST42D 42" SNOW THROWER



REF. NO.	PART NO.	QTY.	DESCRIPTION
1	43080	2	Carriage Bolt, 5/16-18 x 3/4"
2	43182	4	Hex Bolt, 5/16-18 x 3/4"
3	43083	2	Hex Nut, 5/16-18
4	43086	1	Lock Washer, 5/16"
5	43081	4	Washer, 5/16" Std. Wrt.
6	25727	1	Frame, Clutch and Pulley
7	63904	1	Idler Arm Assembly
8	24286	1	Spacer, Pivot
9	63762	1	Idler Bracket Assembly
10	43015	1	Hex Nut, 3/8-16
11	46981	1	Pulley, V Type 9"
12	43082	8	Nut, Hex Lock, 3/8-16
13	46982	1	Pulley, V Type 5-1/2"
14	738-0680	1	Shaft
15	750-0456	1	Spacer
16	750-0660	1	Spacer
17	43003	6	Lock Washer, 3/8"
18	714-0161	2	Key
19	741-0919	2	Bearing, Ball
20	08253B	1	Housing, Bearing
21	15296A	1	Housing, Open Bearing
22	14088B	1	Spacer, Spindle
23	44377	2	Hex Bolt, 3/8-24 x 1"
24	736-0247	2	Washer
25	43063	3	Hex Bolt, 5/16-18 x 1"
26	46989	1	Belt, V Type Drive (55")
	48138	1	Belt, V Type Drive (56")
27	47846	1	Belt, V Type Auger
28	47044	1	Pulley, V Type 4"
29	47025	1	Hex Bolt, 5/16-18 x 3-1/2"
30	43432	1	Hex Bolt, 3/8-16 x 2-1/2"
31	43054	3	Hex Bolt, 3/8-16 x 2"
32	24571	1	Spacer
33	24472	1	Spacer, Pivot
34	43070	8	Washer, 3/8"
35	46959	1	Spring
36	46963	2	Chain
37	43055	1	Pin, Hair Cotter, 3/32"
38	23727	1	Spacer
39	43088	1	Washer, 1/4"
40	43343	2	Pin, Hair Cotter #4 (1/8")
41	47134	2	Pin, Hair Cotter 5/64"
42	711-0198	1	Trunnion
43	46948	1	Rod, Engagement
44	47620	1	Spring
45	47607	1	Spring, Torsion
46	23625	1	Spacer
47	43509	1	Hex Bolt, 3/8-16 x 2-3/4" Lg.
48	47605	1	Washer, Flat 3/8"
49	24558	1	Cable Bracket
50	49870	1	Hex Bolt, 1/4-20 x 2-1/2"
51	43178	2	Hex Nut, 1/4-20
52	43177	1	Lock Washer, 1/4"
53	48883	3	Pulley, Flat 3-5/8"
54	25728	2	Rear Pulley Frame Bracket
55	46938	1	Hex Bolt, 3/8-16 x 3-1/4"
56	25780	1	Spacer
57	47810	9	Hex Nut, 5/16-18 Nylock